



Message Implementation Guideline

GLOBAL DELFOR

based on

DELFOR

Delivery schedule message

UN D.04A S3

Version: JAI 1.1
Variant: 2009 Conti
Issue date: 01.03.2010
Author: CONTINENTAL

Structure / Table of Contents

Tag	St	MaxOcc	Content
UNA	C	1	Service string advice UNA:+.? '
UNB	M	1	Interchange header UNB+UNOC:3+OD012345:59:123+987654321:1:X+071205:1446+144659+++++1'
UNH	M	1	Message header UNH+123456+DELFOR:D:04A:UN:GA0511'
BGM	M	1	Beginning of message BGM+241:::text+231234:02:A+5'
DTM	R	1	Document Issue Date DTM+137:20040523:102'
DTM	O	1	Calculation Date DTM+161:20040523:102'
DTM	O	1	Effective From Date DTM+158:20040101:102'
DTM	O	1	Effective To Date DTM+159:20041231:102'
DTM	O	1	Validity Start Date DTM+157:20040101:102'
DTM	O	1	Expiry Date DTM+36:20040101:102'
FTX	O	5	Terms of delivery FTX+AAR+++Inco-Terms:::X+DE'
SG1	O	99	Blanket order number
RFF	M	1	Reference RFF+BO:X:X'
SG1	O	99	Previous delivery instruction number
RFF	M	1	Reference RFF+AIF:X:X'
SG2	R	1	Buyer
NAD	M	1	Buyer's Name and Address NAD+BY+88012::92+X:::X+OEM INC:X+Industry Road 13:X+Smalltown++12345+DE'
SG4	O	1	Delivery Contact
CTA	M	1	Delivery Contact CTA+DL+ACCT'
COM	O	5	Communication contact COM+0123456789012:TE'
SG4	O	1	Scheduling contact
CTA	M	1	Scheduling Contact CTA+SC+:Scheduling'
COM	O	5	Communication contact COM+0123456789012:TE'
SG2	R	1	Seller
NAD	M	1	Seller's Name and Address NAD+SU+88012::92+ABC OEM:X:X:X:X:X:X+X+AE-AJ+X+DE'
SG2	O	1	Ship From
NAD	M	1	Ship From's Name and Address NAD+SF+88012::92+ABC OEM:X:X:X:X:X:X+X+AE-AJ+X+DE'
SG6	R	9999	Ship-to level

MaxOcc = Maximum occurrence of the segment/group St = Status: M=Mandatory, C=Conditional, R=Required, O=Optional, D=Dependent, A=Advised, N=Not used

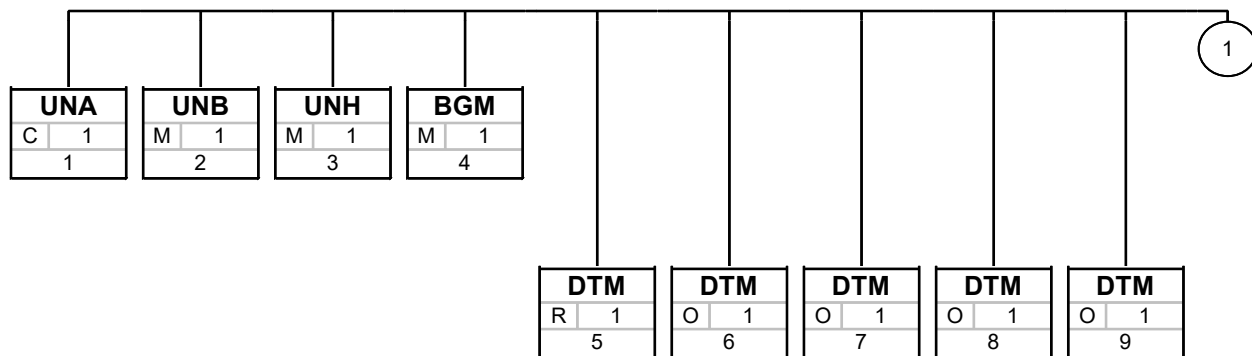
Tag	St	MaxOcc	Content
GEI	M	1	Processing information GEI+3+37'
SG7	O	1	Ship-to
NAD	M	1	Ship-to NAD+ST+082864711::92'
LOC	O	1	Place of discharge LOC+11+DOCK 5::92:X'
LOC	O	4	Place of delivery / Internal place of destination LOC+18+DOCK 5::92:X'
SG12	R	9999	Scheduled Article Details
LIN	M	1	Line item LIN+1+1+PN-32212:IN'
PIA	O	1	Additional product id PIA+1+C2:VN'
PIA	O	1	Additional product id PIA+1+C2:UA'
IMD	O	10	Item short description IMD+F+4::10+01::10:X:X:AA'
FTX	O	5	Third Party: Customer Usages Indicator FTX+PRD+++X:X:X:X+AA'
SG16	O	2	Delivery balance
QTY	M	1	Delivery balance quantity QTY+83:5000:05'
SG16	O	99	Cumulative quantity received
QTY	M	1	Cumulative quantity received QTY+70:100000:C62'
DTM	O	2	Cumulative quantity date(s)/Reconciliation Date DTM+51:20050101:102'
SG16	O	1	Received quantity
QTY	M	1	Despatched and received quantities QTY+48:10000:C62'
DTM	O	2	Despatch and/or receipt date DTM+310:20040528:102'
SG17	O	99	Despatch / receiving document reference
RFF	M	1	Reference RFF+AAU:12345'
DTM	O	1	Referenced document's date DTM+171:X:102'
SG18	D	999	Scheduling data Firm
SCC	M	1	Scheduling conditions SCC+1'
SG19	R	999	Scheduled quantity
QTY	M	1	Quantity QTY+113:4500:C62'
DTM	O	9	Scheduled date(s) DTM+2:20040610:102'
DTM	R	9	Delivery date/time, earliest DTM+64:20040610:102'
DTM	R	9	Delivery date time, last DTM+63:20040610:102'

MaxOcc = Maximum occurrence of the segment/group St = Status: M=Mandatory, C=Conditional, R=Required, O=Optional, D=Dependent, A=Advised, N=Not used

Tag	St	MaxOcc	Content
SG18	O	999	Commitment for manufacturing and material
SCC	M	1	Scheduling conditions SCC+2'
SG19	R	999	Quantity to be delivered
QTY	M	1	Quantity QTY+113:4500:C62'
DTM	R	9	Delivery date/time, earliest DTM+64:20040610:102'
DTM	R	9	Delivery date time, last DTM+63:20040610:102'
DTM	O	9	Delivery date/time, requested DTM+2:20040610:102'
SG19	O	999	Latest cumulative quantity
QTY	M	1	Quantity QTY+74:10000:C62'
DTM	R	9	Authorization date DTM+160:20040610:102'
SG18	D	999	Scheduling data Planning/forecast
SCC	M	1	Scheduling conditions SCC+4'
SG19	R	999	Scheduled quantity
QTY	M	1	Quantity QTY+113:4500:C62'
DTM	O	9	Scheduled date(s) DTM+2:20040610:102'
DTM	R	9	Delivery date time, last DTM+63:20040610:102'
DTM	R	9	Delivery date/time, earliest DTM+64:20040610:102'
UNT	M	1	Message trailer UNT+122+123456'
UNZ	M	1	Interchange trailer UNZ+1+144659'

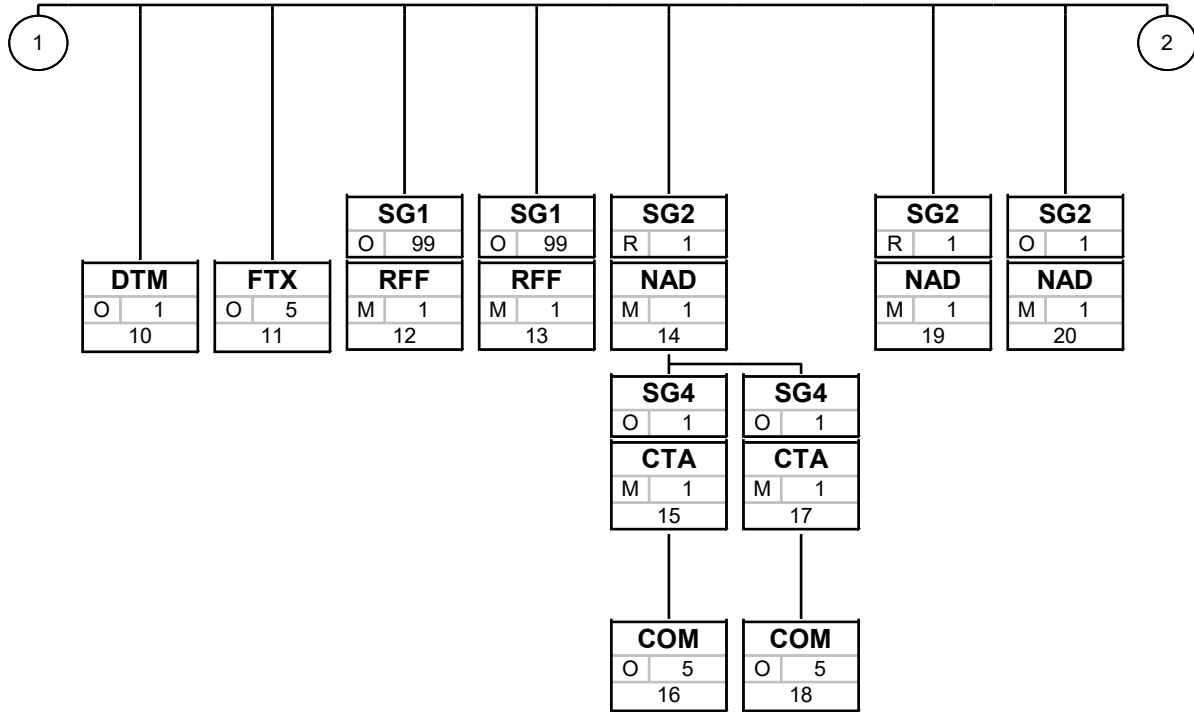
MaxOcc = Maximum occurrence of the segment/group St = Status: M=Mandatory, C=Conditional, R=Required, O=Optional, D=Dependent, A=Advised, N=Not used

Branching Diagram of Used Segments/Groups



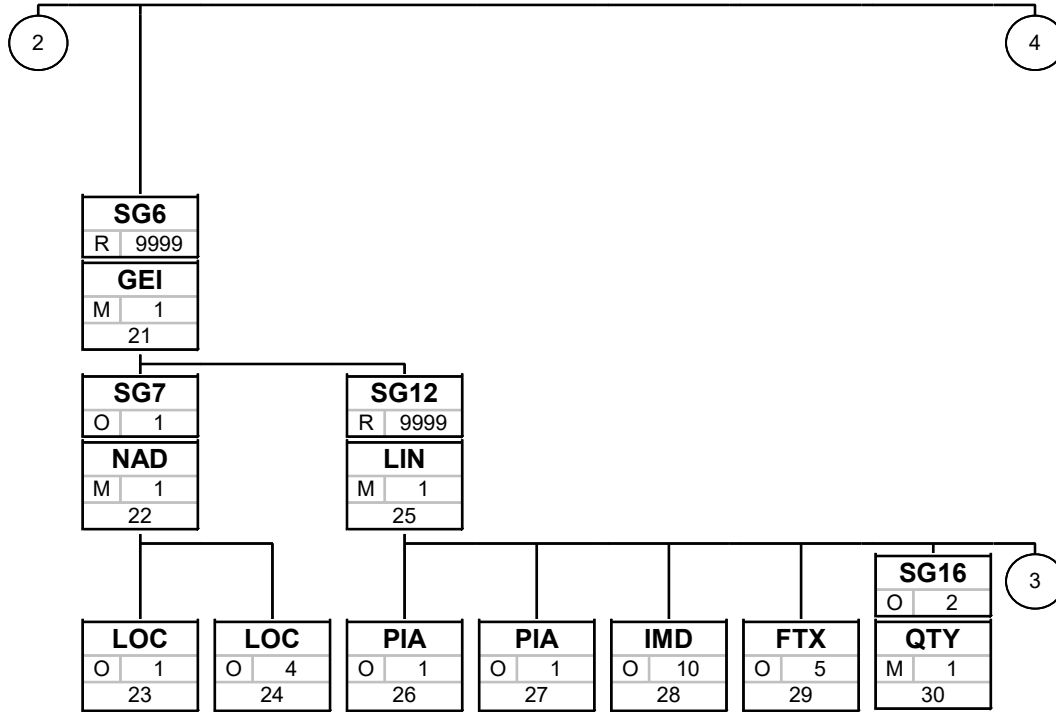
Tag
St MaxOcc
No

Tag = Segment/Group Tag
 St = Status: M=Mandatory, C=Conditional, R=Required, O=Optional, D=Dependent, A=Advised, N=Not used
 MaxOcc = Maximum occurrence of the segment/group
 No = Consecutive segment number



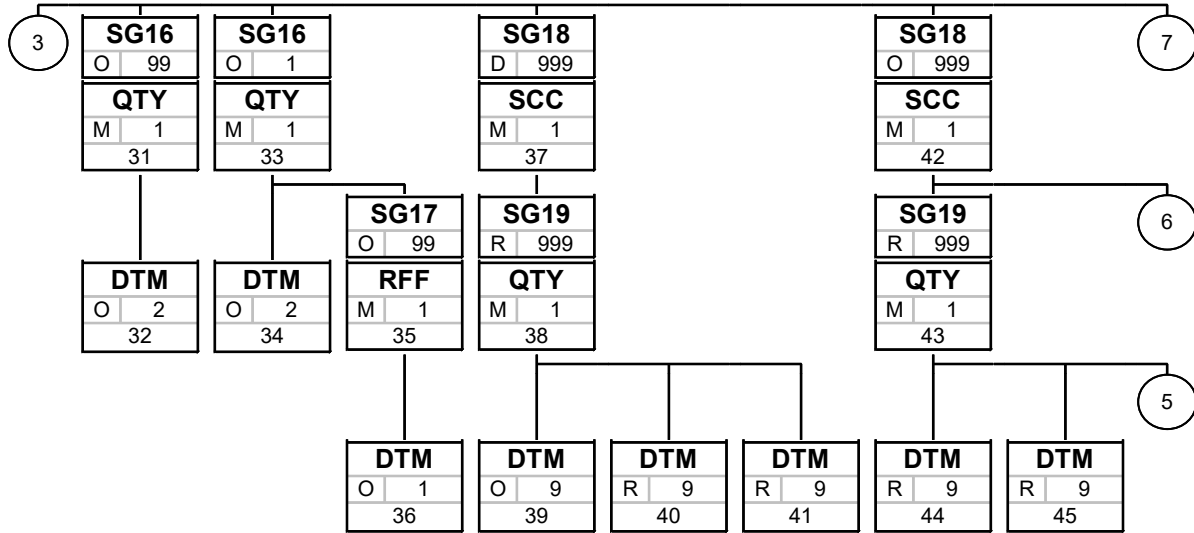
Tag
St MaxOcc
No

Tag = Segment/Group Tag
 St = Status: M=Mandatory, C=Conditional, R=Required, O=Optional, D=Dependent, A=Advised, N=Not used
 MaxOcc = Maximum occurrence of the segment/group
 No = Consecutive segment number



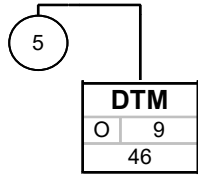
Tag
St MaxOcc
No

Tag = Segment/Group Tag
 St = Status: M=Mandatory, C=Conditional, R=Required, O=Optional, D=Dependent, A=Advised, N=Not used
 MaxOcc = Maximum occurrence of the segment/group
 No = Consecutive segment number



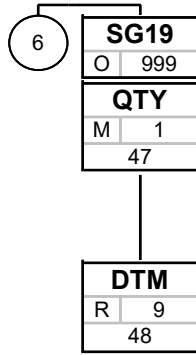
Tag
St MaxOcc
No

Tag = Segment/Group Tag
 St = Status: M=Mandatory, C=Conditional, R=Required, O=Optional, D=Dependent, A=Advised, N=Not used
 MaxOcc = Maximum occurrence of the segment/group
 No = Consecutive segment number



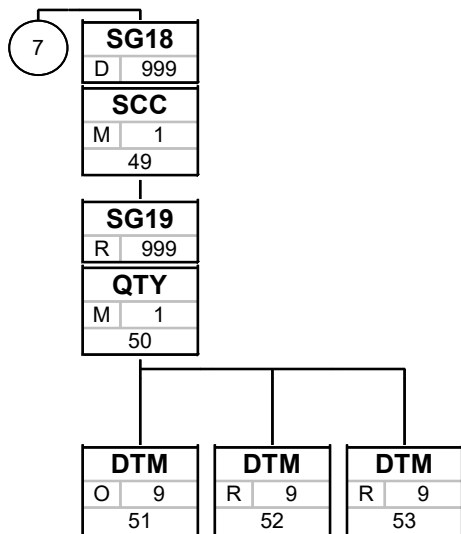
Tag
St MaxOcc
No

Tag = Segment/Group Tag
 St = Status: M=Mandatory, C=Conditional, R=Required, O=Optional, D=Dependent, A=Advised, N=Not used
 MaxOcc = Maximum occurrence of the segment/group
 No = Consecutive segment number



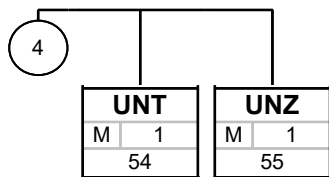
Tag
St MaxOcc
No

Tag = Segment/Group Tag
 St = Status: M=Mandatory, C=Conditional, R=Required, O=Optional, D=Dependent, A=Advised, N=Not used
 MaxOcc = Maximum occurrence of the segment/group
 No = Consecutive segment number



Tag
St MaxOcc
No

Tag = Segment/Group Tag
 St = Status: M=Mandatory, C=Conditional, R=Required, O=Optional, D=Dependent, A=Advised, N=Not used
 MaxOcc = Maximum occurrence of the segment/group
 No = Consecutive segment number



Tag
St MaxOcc
No

Tag = Segment/Group Tag
 St = Status: M=Mandatory, C=Conditional, R=Required, O=Optional, D=Dependent, A=Advised, N=Not used
 MaxOcc = Maximum occurrence of the segment/group
 No = Consecutive segment number

Tag	St	MaxOcc
-----	----	--------

UNB M 1 Interchange header

		EDIFACT	Conti		
Tag	Name	St Format	St	Format	Usage / Remark
S001	Syntax identifier	M	M		
0001	Syntax identifier	M a4	M	a4	UNOA UN/ECE level A UNOB UN/ECE level B UNOC UN/ECE-Zeichensatz C UNOX
0002	Syntax version number	M n1	M	n1	2 Version 2 3 Version 3
S002	Interchange sender	M	M		
0004	Sender identification	M an..35	M	an..35	Unique ID of the sender in the data transmission network or system.
0007	Partner identification code qualifier	C an..4	O	an..4	
0008	Address for reverse routing	C an..14	O	an..14	Address of an application or internal system at sender's site to which answer messages should be routed.
S003	Interchange recipient	M	M		
0010	Recipient identification	M an..35	M	an..35	Unique ID of the receiver in the data transmission network or system.
0007	Partner identification code qualifier	C an..4	O	an..4	
0014	Routing address	C an..14	C	an..14	Address of an application or internal system at recipient's site.
S004	Date/time of preparation	M	M		
0017	Date of preparation	M n6	M	n6	Format YYMMDD
0019	Time of preparation	M n4	M	n4	Format HHMM
0020	Interchange control reference	M an..14	M	an..14	Unique ID of an interchange.
S005	Recipient's reference, password		N		
0022	Recipient's reference/password	an..14	N		Not used
0025	Recipient's reference/password qualifier	an2	N		Not used
0026	Application reference	an..14	N		Not used
0029	Processing priority code	a1	N		Not used
0031	Acknowledgement request	n1	N		Not used
0032	Communications agreement ID	an..35	N		Not used
0035	Test indicator	C n1	O	n1	Only to be used if the interchange is for test purposes. Omit this data element for valid interchanges. 1 Interchange is a test

Remark:

Example: UNB+UNOC:3+OD012345:59:123+987654321:1:X+071205:1446+144659+++++1'

MaxOcc = Maximum occurrence of the segment/group St = Status: M=Mandatory, C=Conditional, R=Required, O=Optional, D=Dependent, A=Advised, N=Not used

Tag	St	MaxOcc	
UNH	M	1	Message header

EDIFACT			Conti		
Tag	Name	St Format	St	Format	Usage / Remark
0062	Message reference number	M an..14	M	an..14	Message reference number should be unique for an agreed period of time. (Eg. Calendar year, model year)
S009	Message identifier	M	M		
0065	Message type	M an..6	M	an..6	DELFOR Delivery schedule message
0052	Message version number	M an..3	M	an..3	D Draft version/UN/EDIFACT Directory
0054	Message release number	M an..3	M	an..3	04A Release 2004 - A
0051	Controlling agency	M an..2	M	an..2	UN UN/CEFACT
0057	Association assigned code	C an..6	R	an..6	Identification of the subset release, assigned by the responsible organisation (Odette, joint automotive initiative forum).
0068	Common access reference	an..35	N		Not used
S010	Status of the transfer		N		
0070	Sequence of transfers	n..2	N		Not used
0073	First and last transfer	a1	N		Not used

Remark:

Example: UNH+123456+DELFOR:D:04A:UN:GA0511'

MaxOcc = Maximum occurrence of the segment/group St = Status: M=Mandatory, C=Conditional, R=Required, O=Optional, D=Dependent, A=Advised, N=Not used

Tag	St	MaxOcc
-----	----	--------

BGM M 1 Beginning of message

EDIFACT			Conti		
Tag	Name	St Format	St	Format	Usage / Remark
C002	Document/message name	C	R		
1001	Document name code	C an..3	R	an..3	Code specifying the type or subtype of the business document. Use UN/EDIFACT code list 1001 and JAI code list JAI001 236 Lieferprog /VMI-flag 241 Delivery schedule Code 222 - message is used for a single delivery requirement and can be seen as individual delivery instruction for that item. It's assumed that a standing purchase order exists. Code 224 - exceptional delivery instruction for immediate additional requirements. All other (previously sent) scheduling data remain valid. Code 236 - message contains only forecasting figures Code 240 - message contains only firm instructions Code 241 - message contains forecasting and firm figures (combination of firm instructions and forecasting figures)
1131	Code list identification code	an..17	N		Not used
3055	Code list responsible agency code	C an..3	O	an..3	6 UN/ECE (United Nations - Economic Commission for Europe) Code specifying the agency responsible for a code list.
1000	Document name	C an..35	O	an..35	Additional profile information concerning the delivery forecast / instruction
C106	Document/message identification	C	R		
1004	Document identifier	C an..35	R	an..35	Unique identifier of a document. Synonym: document number
1056	Version identifier	C an..9	O	an..9	Message version is used to indicate a version of each individual company's message specification, which is composed based on the global message.
1060	Revision identifier	C an..6	O	an..6	Document revision is used to indicate a revision of each individual company's message specification which is composed based on the global specification.
1225	Message function code	C an..3	O	an..3	Code indicating the function of the document. Use of code 4 - change is not recommended and also code 5 should be restricted to replacements due to technical reasons. Any change in instruction content should be indicated at instruction level.
4343	Response type code	an..3	N		Not used

Remark:

Example: BGM+241:::text+231234:02:A+5'

MaxOcc = Maximum occurrence of the segment/group St = Status: M=Mandatory, C=Conditional, R=Required, O=Optional, D=Dependent, A=Advised, N=Not used

Tag	St	MaxOcc
-----	----	--------

DTM R 1 Document Issue Date

EDIFACT			Conti		
Tag	Name	St Format	St	Format	Usage / Remark
C507	Date/time/period	M	M		
2005	Date or time or period function code qualifier	M an..3	M	an..3	137 Document issue date time
2380	Date or time or period text	C an..35	R	an..35	Date on which a document or business signal was issued.
2379	Date or time or period format code	C an..3	O	an..3	102 CCYYMMDD

Remark:

Example: DTM+137:20040523:102'

MaxOcc = Maximum occurrence of the segment/group St = Status: M=Mandatory, C=Conditional, R=Required, O=Optional, D=Dependent, A=Advised, N=Not used

Tag	St	MaxOcc
-----	----	--------

DTM O 1 Calculation Date

EDIFACT			Conti		
Tag	Name	St Format	St	Format	Usage / Remark
C507	Date/time/period	M	M		
2005	Date or time or period function code qualifier	M an..3	M	an..3	161 Release date of customer
2380	Date or time or period text	C an..35	R	an..35	Calculation date
2379	Date or time or period format code	C an..3	O	an..3	102 CCYYMMDD 203 CCYYMMDDHHMM 204 CCYYMMDDHHMMSS

Remark:
quality releas date until

Example: DTM+161:20040523:102'

Tag	St	MaxOcc
-----	----	--------

DTM	O	1 Effective From Date
------------	---	-----------------------

EDIFACT			Conti		
Tag	Name	St Format	St	Format	Usage / Remark
C507	Date/time/period	M	M		
2005	Date or time or period function code qualifier	M an..3	M	an..3	158 Horizon start date
2380	Date or time or period text	C an..35	R	an..35	Start date of a given period.
2379	Date or time or period format code	C an..3	O	an..3	102 CCYYMMDD

Remark:
 Start date of the schedule. Usually used in combination with the Effective To Date to form a forecast horizon.
 Synonym: Horizon Start Date

Example: DTM+158:20040101:102'

Tag	St	MaxOcc
-----	----	--------

DTM O 1 **Effective To Date**

EDIFACT			Conti		
Tag	Name	St Format	St	Format	Usage / Remark
C507	Date/time/period	M	M		
2005	Date or time or period function code qualifier	M an..3	M	an..3	159 Horizon end date
2380	Date or time or period text	C an..35	R	an..35	End date of a given period.
2379	Date or time or period format code	C an..3	O	an..3	102 CCYYMMDD

Remark:
End date of the schedule. Usually used in combination with the 'Effective From Date' to form a forecast horizon.

Example: DTM+159:20041231:102'

MaxOcc = Maximum occurrence of the segment/group St = Status: M=Mandatory, C=Conditional, R=Required, O=Optional, D=Dependent, A=Advised, N=Not used

Tag	St	MaxOcc
-----	----	--------

DTM O 1 **Validity Start Date**

EDIFACT			Conti		
Tag	Name	St Format	St	Format	Usage / Remark
C507	Date/time/period	M	M		
2005	Date or time or period function code qualifier	M an..3	M	an..3	157 Validity start date
2380	Date or time or period text	C an..35	R	an..35	Start date of a given period
2379	Date or time or period format code	C an..3	O	an..3	102 CCYYMMDD

Remark:

Although the horizon may comprehend a longer period, the current message is to be considered valid only for a shorter period, delimited by Validity start date and Expiry Date. Usually, this goes along with a release frequency. E.g. if the frequency is weekly, the validity start date and expiry date shall denominate the one week period.
not used for PROACT

Example: DTM+157:20040101:102'

Tag	St	MaxOcc
-----	----	--------

DTM O 1 Expiry Date

EDIFACT			Conti		
Tag	Name	St Format	St	Format	Usage / Remark
C507	Date/time/period	M	M		
2005	Date or time or period function code qualifier	M an..3	M	an..3	36 Expiry date
2380	Date or time or period text	C an..35	R	an..35	End date of a given period
2379	Date or time or period format code	C an..3	O	an..3	102 CCYYMMDD

Remark:

Although the horizon may comprehend a longer period, the current message is to be considered valid only for a shorter period, delimited by Validity start date and Expiry Date. Usually, this goes along with a release frequency. E.g. if the frequency is weekly, the validity start date and expiry date shall denominate the one week period.
not used for PROACT

Example: DTM+36:20040101:102'

MaxOcc = Maximum occurrence of the segment/group St = Status: M=Mandatory, C=Conditional, R=Required, O=Optional, D=Dependent, A=Advised, N=Not used

Tag	St	MaxOcc
-----	----	--------

FTX

O 5 Terms of delivery

EDIFACT			Conti		
Tag	Name	St Format	St	Format	Usage / Remark
4451	Text subject code qualifier	M an..3	M	an..3	AAR Terms of delivery
4453	Free text function code	an..3	N		Not used
C107	Text reference		N		
4441	Free text description code	an..17	N		Not used
1131	Code list identification code	an..17	N		Not used
3055	Code list responsible agency code	an..3	N		Not used
C108	Text literal	C	R		
4440	Free text	M an..256	M	an..256	A line of plain, non-structured text information.
4440	Free text	C an..256	O	an..256	see 4440#1
4440	Free text	C an..256	O	an..256	see 4440#1
4440	Free text	C an..256	O	an..256	see 4440#1
4440	Free text	C an..256	O	an..256	see 4440#1
3453	Language name code	C an..3	O	an..3	Code specifying the language name. Use ISO 639-1988.
4447	Free text format code	an..3	N		Not used

Remark:

Terms of delivery

Example: FTX+AAR+++Inco-Terms::::X+DE'

MaxOcc = Maximum occurrence of the segment/group St = Status: M=Mandatory, C=Conditional, R=Required, O=Optional, D=Dependent, A=Advised, N=Not used

Tag	St	MaxOcc	
SG1	O	99	Blanket order number
RFF	M	1	Reference

EDIFACT			Conti		
Tag	Name	St Format	St	Format	Usage / Remark
C506	Reference	M	M		
1153	Reference code qualifier	M an..3	M	an..3	Type of reference, coded BO Blanket order number
1154	Reference identifier	C an..17	R	an..17	Unique identifier of a document. Synonym: document number or reference number
1156	Document line identifier	C an..6	O	an..6	Sequential number assigned by the sender to identify a line item within a message or document.
4000	Reference version identifier	an..35	N		Not used
1060	Revision identifier	an..6	N		Not used

Remark:

Example: RFF+BO:X:X'

Tag	St	MaxOcc	
-----	----	--------	--

SG1 O 99 **Previous delivery instruction number**
 not used for PROACT

RFF M 1 **Reference**

EDIFACT			Conti		
Tag	Name	St Format	St	Format	Usage / Remark
C506	Reference	M	M		
1153	Reference code qualifier	M an..3	M	an..3	Type of reference, coded AIF Previous delivery instruction number
1154	Reference identifier	C an..17	R	an..17	Unique identifier of a document. Synonym: document number or reference number
1156	Document line identifier	C an..6	O	an..6	Sequential number assigned by the sender to identify a line item within a message or document.
4000	Reference version identifier	an..35	N		Not used
1060	Revision identifier	an..6	N		Not used

Remark:

Example: RFF+AIF:X:X'

Tag	St	MaxOcc
SG2	R	1 Buyer
NAD	M	1 Buyer's Name and Address

EDIFACT			Conti		
Tag	Name	St Format	St	Format	Usage / Remark
3035	Party function code qualifier	M an..3	M	an..3	BY Buyer Some companies refer to the buyer as the material release issuer. Both terms are used as synonyms in the DELFOR.
C082	Party identification details	C	R		
3039	Party identifier	M an..35	M	an..35	Unique identification of a party by an ID.
1131	Code list identification code	an..17	N		Not used
3055	Code list responsible agency code	C an..3	R	an..3	Code specifying the agency responsible for a code list. 92 Assigned by buyer or buyer's agent
C058	Name and address	C	O		
3124	Name and address description	M an..35	M	an..35	A text line containing non-structured address information.
3124	Name and address description	C an..35	O	an..35	see 3124#1
3124	Name and address description	C an..35	O	an..35	see 3124#1
3124	Name and address description	C an..35	O	an..35	see 3124#1
3124	Name and address description	C an..35	O	an..35	see 3124#1
C080	Party name	C	O		
3036	Party name	M an..35	M	an..35	Single text line for specification of a name
3036	Party name	C an..35	O	an..35	see 3036#1
3036	Party name	an..35	N		Not used
3036	Party name	an..35	N		Not used
3036	Party name	an..35	N		Not used
3045	Party name format code	an..3	N		Not used
C059	Street	C	O		
3042	Street and number or post office box identifier	M an..35	O	an..35	The name that identifies the location of a house or building: usually within a street as part of an address.
3042	Street and number or post office box identifier	C an..35	O	an..35	see 3042#1
3042	Street and number or post office box identifier	an..35	N		Not used
3042	Street and number or post office box identifier	an..35	N		Not used
3164	City name	C an..35	O	an..35	The name of the city, town, or village of this address.
C819	Country sub-entity details	C	O		
3229	Country sub-entity name code	C an..9	R	an..9	State or region within a country. The use of UN LoCodes is recommended.
1131	Code list identification code	an..17	N		Not used
3055	Code list responsible agency code	an..3	N		Not used
3228	Country sub-entity name	an..70	N		Not used
3251	Postal identification code	C an..17	O	an..17	The identifier for one or more properties according to the postal service of that country; a group of letters and/or numbers added to the postal address to assist in the sorting of mail.
3207	Country name code	C an..3	O	an..3	Provides the country part of an address using a code. Use ISO3166 two alpha code.

Remark:

Party to whom merchandise and/or service is sold.

Example: NAD+BY+88012::92+X::::X+OEM INC:X+Industry Road 13:X+Smalltown++12345+DE'

MaxOcc = Maximum occurrence of the segment/group St = Status: M=Mandatory, C=Conditional, R=Required, O=Optional, D=Dependent, A=Advised, N=Not used

Tag	St	MaxOcc	
SG4	O	1	Delivery Contact
CTA	M	1	Delivery Contact

EDIFACT			Conti		
Tag	Name	St Format	St	Format	Usage / Remark
3139	Contact function code	C an..3	R	an..3	DL Delivery contact
C056	Information Contact Details	C	R		
3413	Department or employee name code	C an..17	R	an..17	Identifies the department or employee by a unique identifier other than their name when given as a contact.
3412	Department or employee name	an..35	N		Not used

Remark:

A contact assigned to the delivery party

Example: CTA+DL+ACCT'

Tag	St	MaxOcc	
SG4	O	1	Delivery Contact
COM	O	5	Communication contact

EDIFACT			Conti		
Tag	Name	St Format	St	Format	Usage / Remark
C076	Communication contact	M	M		
3148	Communication address identifier	M an..100	M	an..100	The number or virtual 'address' of a telephone in a telecommunication system The number or virtual 'address' of a telephone in an organisation's internal telecommunication system The number or virtual 'address' of a facsimile in a telecommunication system The number or virtual 'address' of an e-mail mailbox in the internet or other network. Within a given facility a detailed department mail delivery location.
3155	Communication address code qualifier	M an..3	M	an..3	EM Electronic mail FX Telefax TE Telephone

Remark:

Example: COM+0123456789012:TE'

Tag	St	MaxOcc	
SG4	O	1	Scheduling contact
CTA	M	1	Scheduling Contact

EDIFACT			Conti		
Tag	Name	St Format	St	Format	Usage / Remark
3139	Contact function code	C an..3	R	an..3	SC Schedule contact
C056	Information Contact Details	C	R		
3413	Department or employee name code	C an..17	O	an..17	Identifies the department or employee by a unique identifier other than their name when given as a contact.
3412	Department or employee name	C an..35	O	an..35	Name of the contact person or department

Remark:

Information that identifies the contact person or department responsible for the scheduling of deliveries, e.g. by releasing call-off orders or delivery forecasts, together with information about how they can be contacted.

Example: CTA+SC+:Scheduling'

Tag	St	MaxOcc	
SG4	O	1	Scheduling contact
COM	O	5	Communication contact

EDIFACT			Conti		
Tag	Name	St Format	St	Format	Usage / Remark
C076	Communication contact	M	M		
3148	Communication address identifier	M an..100	M	an..100	The number or virtual 'address' of a telephone in a telecommunication system The number or virtual 'address' of a telephone in an organisation's internal telecommunication system The number or virtual 'address' of a facsimile in a telecommunication system The number or virtual 'address' of an e-mail mailbox in the internet or other network. Within a given facility a detailed department mail delivery location.
3155	Communication address code qualifier	M an..3	M	an..3	TE Telephone

Remark:

Example: COM+0123456789012:TE'

Tag	St	MaxOcc
-----	----	--------

SG2 R 1 Seller
Seller

NAD M 1 Seller's Name and Address

EDIFACT			Conti		
Tag	Name	St Format	St	Format	Usage / Remark
3035	Party function code qualifier	M an..3	M	an..3	SU Supplier
C082	Party identification details	C	R		
3039	Party identifier	M an..35	M	an..35	Unique identification of a party by an ID.
1131	Code list identification code	an..17	N		Not used
3055	Code list responsible agency code	C an..3	R	an..3	Code specifying the agency responsible for a code list. 92 Assigned by buyer or buyer's agent
C058	Name and address	C	O		
3124	Name and address description	M an..35	M	an..35	A text line containing non-structured address information.
3124	Name and address description	C an..35	O	an..35	see 3124#1
3124	Name and address description	C an..35	O	an..35	see 3124#1
3124	Name and address description	C an..35	O	an..35	see 3124#1
3124	Name and address description	C an..35	O	an..35	see 3124#1
C080	Party name	C	O		
3036	Party name	M an..35	M	an..35	Single text line for specification of a name
3036	Party name	C an..35	O	an..35	see 3036#1
3036	Party name	an..35	N		Not used
3036	Party name	an..35	N		Not used
3036	Party name	an..35	N		Not used
3045	Party name format code	an..3	N		Not used
C059	Street	C	O		
3042	Street and number or post office box identifier	M an..35	M	an..35	The name that identifies the location of a house or building; usually within a street as part of an address.
3042	Street and number or post office box identifier	C an..35	O	an..35	see 3042#1
3042	Street and number or post office box identifier	an..35	N		Not used
3042	Street and number or post office box identifier	an..35	N		Not used
3164	City name	C an..35	O	an..35	The name of the city, town, or village of this address.
C819	Country sub-entity details	C	O		
3229	Country sub-entity name code	C an..9	R	an..9	State or region within a country. The use of UN LoCodes is recommended.
1131	Code list identification code	an..17	N		Not used
3055	Code list responsible agency code	an..3	N		Not used
3228	Country sub-entity name	an..70	N		Not used
3251	Postal identification code	C an..17	O	an..17	The identifier for one or more properties according to the postal service of that country; a group of letters and/or numbers added to the postal address to assist in the sorting of mail.
3207	Country name code	C an..3	O	an..3	Provides the country part of an address using a code. Use ISO3166 two alpha code.

Remark:

Party selling merchandise to a buyer.

Seller: The party who has liability to fulfill the contract. It is often used in the sense of seller and supplier and ship-from.

In Europe and Japan seller is preferred to identify the selling and supplying party. Supplier is only included when the party actually differs from the seller.

Example: NAD+SU+88012::92+ABC OEM:X:X:X:X+X:X+X:X+X+AE-AJ+X+DE'

MaxOcc = Maximum occurrence of the segment/group St = Status: M=Mandatory, C=Conditional, R=Required, O=Optional, D=Dependent, A=Advised, N=Not used

Tag	St	MaxOcc	
SG2	O	1	Ship From
Ship From			
NAD	M	1	Ship From's Name and Address

EDIFACT			Conti		
Tag	Name	St Format	St	Format	Usage / Remark
3035	Party function code qualifier	M an..3	M	an..3	SF Ship from
C082	Party identification details	C	O		
3039	Party identifier	M an..35	M	an..35	Unique identification of a party by an ID.
1131	Code list identification code	an..17	N		Not used
3055	Code list responsible agency code	C an..3	O	an..3	5 ISO (International Organization for Standardization) 10 ODETTE 16 US, D&B (Dun & Bradstreet Corporation) 91 Assigned by seller or seller's agent 92 Assigned by buyer or buyer's agent 289 JP,JIPDEC/ECPC (Japan Information Processing Development Center / Electronic Commerce Promotion Center) Code specifying the agency responsible for a code list.
C058	Name and address	C	O		
3124	Name and address description	M an..35	M	an..35	A text line containing non-structured address information.
3124	Name and address description	C an..35	O	an..35	see 3124#1
3124	Name and address description	C an..35	O	an..35	see 3124#1
3124	Name and address description	C an..35	O	an..35	see 3124#1
3124	Name and address description	C an..35	O	an..35	see 3124#1
C080	Party name	C	O		
3036	Party name	M an..35	M	an..35	Single text line for specification of a name
3036	Party name	C an..35	O	an..35	see 3036#1
3036	Party name	an..35	N		Not used
3036	Party name	an..35	N		Not used
3036	Party name	an..35	N		Not used
3045	Party name format code	an..3	N		Not used
C059	Street	C	O		
3042	Street and number or post office box identifier	M an..35	M	an..35	The name that identifies the location of a house or building: usually within a street as part of an address.
3042	Street and number or post office box identifier	C an..35	O	an..35	see 3042#1
3042	Street and number or post office box identifier	an..35	N		Not used
3042	Street and number or post office box identifier	an..35	N		Not used
3164	City name	C an..35	O	an..35	The name of the city, town, or village of this address.
C819	Country sub-entity details	C	O		
3229	Country sub-entity name code	C an..9	R	an..9	State or region within a country. The use of UN LoCodes is recommended.
1131	Code list identification code	an..17	N		Not used
3055	Code list responsible agency code	an..3	N		Not used
3228	Country sub-entity name	an..70	N		Not used
3251	Postal identification code	C an..17	O	an..17	The identifier for one or more properties according to the postal service of that country; a group of letters and/or numbers added to the postal address to assist in the sorting of mail.
3207	Country name code	C an..3	O	an..3	Provides the country part of an address using a code. Use ISO3166 two alpha code.

Remark:

MaxOcc = Maximum occurrence of the segment/group St = Status: M=Mandatory, C=Conditional, R=Required, O=Optional, D=Dependent, A=Advised, N=Not used

GLOBAL DELFOR



The party which consigns or sends goods.

Example: NAD+SF+88012::92+ABC OEM:X:X:X:X:X:X+X+AE-AJ+X+DE'

MaxOcc = Maximum occurrence of the segment/group St = Status: M=Mandatory, C=Conditional, R=Required, O=Optional,
D=Dependent, A=Advised, N=Not used

Tag	St	MaxOcc	
SG6	R	9999	Ship-to level
GEI	M	1	Processing information

EDIFACT			Conti		
Tag	Name	St Format	St	Format	Usage / Remark
9649	Processing information code qualifier	M an..3	M	an..3	3 Scheduling type information
C012	Processing indicator	C	O		
7365	Processing indicator description code	C an..3	O	an..3	37 Complete information Code indicating the scope of a delivery schedule: complete information or only changed information. At this point, the code indicates that the delivery schedule information for a given Ship-to contains is either a complete schedule and replaces completely any previous information for that ship-to or contains only changes. If instruction update action code is given for the individual line items, only code 38 = replaced would be applicable if code 37 = complete information is given here. Code 36 =change information may be used together with codes 3 and 9 in Instruction Update Action code.
1131	Code list identification code	an..17	N		Not used
3055	Code list responsible agency code	an..3	N		Not used
7364	Processing indicator description	an..35	N		Not used
7187	Process type description code	an..17	N		Not used

Remark:

This level gives the delivery instruction details (schedule dates, scheduled quantities etc.) for one individual ship-to party e.g. a plant in a delivery instruction or forecast.

Example: GEI+3+37'

Tag	St	MaxOcc	
SG7	O	1	Ship-to
NAD	M	1	Ship-to

EDIFACT			Conti		
Tag	Name	St Format	St	Format	Usage / Remark
3035	Party function code qualifier	M an..3	M	an..3	ST Ship to
C082	Party identification details	C	O		
3039	Party identifier	M an..35	M	an..35	Unique identification of a party by an ID.
1131	Code list identification code	an..17	N		Not used
3055	Code list responsible agency code	C an..3	R	an..3	92 Assigned by buyer or buyer's agent Code specifying the agency responsible for a code list.
C058	Name and address		N		
3124	Name and address description	an..35	N		Not used
3124	Name and address description	an..35	N		Not used
3124	Name and address description	an..35	N		Not used
3124	Name and address description	an..35	N		Not used
3124	Name and address description	an..35	N		Not used
C080	Party name		N		
3036	Party name	an..35	N		Not used
3036	Party name	an..35	N		Not used
3036	Party name	an..35	N		Not used
3036	Party name	an..35	N		Not used
3036	Party name	an..35	N		Not used
3045	Party name format code	an..3	N		Not used
C059	Street		N		
3042	Street and number or post office box identifier	an..35	N		Not used
3042	Street and number or post office box identifier	an..35	N		Not used
3042	Street and number or post office box identifier	an..35	N		Not used
3042	Street and number or post office box identifier	an..35	N		Not used
3164	City name	an..35	N		Not used
C819	Country sub-entity details		N		
3229	Country sub-entity name code	an..9	N		Not used
1131	Code list identification code	an..17	N		Not used
3055	Code list responsible agency code	an..3	N		Not used
3228	Country sub-entity name	an..70	N		Not used
3251	Postal identification code	an..17	N		Not used
3207	Country name code	an..3	N		Not used

Remark:

The party to which goods are to be shipped (consigned). Identifies a delivery point and its attached information when a delivery point method is being used. / plant

The Ship-to must be used, if there are multiple customer/buyer locations included in a DELFOR. In addition, in European business processes this ship-to party is often required even if it repeats the information given for the buyer already.

Example: NAD+ST+082864711::92'

MaxOcc = Maximum occurrence of the segment/group St = Status: M=Mandatory, C=Conditional, R=Required, O=Optional, D=Dependent, A=Advised, N=Not used

Tag	St	MaxOcc
SG7	O	1 Ship-to
LOC	O	1 Place of discharge

EDIFACT			Conti		
Tag	Name	St Format	St	Format	Usage / Remark
3227	Location function code qualifier	M an..3	M	an..3	11 Place of discharge
C517	Location identification	C	R		
3225	Location name code	C an..35	O	an..35	Identifier / code specifying the name of the place of discharge. KO consignment material xxxx different unloading points
1131	Code list identification code	an..17	N		Not used
3055	Code list responsible agency code	C an..3	O	an..3	Code specifying the agency responsible for a code list. 92 Assigned by buyer or buyer's agent
3224	Location name	C an..256	O	an..256	Name of place of discharge, other than city name.
C519	Related location one identification		N		
3223	First related location name code	an..25	N		Not used
1131	Code list identification code	an..17	N		Not used
3055	Code list responsible agency code	an..3	N		Not used
3222	First related location name	an..70	N		Not used
C553	Related location two identification		N		
3233	Second related location name code	an..25	N		Not used
1131	Code list identification code	an..17	N		Not used
3055	Code list responsible agency code	an..3	N		Not used
3232	Second related location name	an..70	N		Not used
5479	Relation code	an..3	N		Not used

Remark:

Place of discharge: Seaport, airport, freight terminal, rail station or other place at which the goods (cargo) are unloaded from the means of transport having been used for their carriage.

Example: LOC+11+DOCK 5::92:X'

Tag	St	MaxOcc
SG7	O	1 Ship-to
LOC	O	4 Place of delivery / Internal place of destination

EDIFACT			Conti		
Tag	Name	St Format	St	Format	Usage / Remark
3227	Location function code qualifier	M an..3	M	an..3	18 Warehouse
C517	Location identification	C	R		
3225	Location name code	C an..35	O	an..35	Identifier / code specifying the name of a location.
1131	Code list identification code	an..17	N		Not used
3055	Code list responsible agency code	C an..3	O	an..3	Code specifying the agency responsible for a code list. 92 Assigned by buyer or buyer's agent
3224	Location name	C an..256	O	an..256	Name of place of discharge, other than city name.
C519	Related location one identification		N		
3223	First related location name code	an..25	N		Not used
1131	Code list identification code	an..17	N		Not used
3055	Code list responsible agency code	an..3	N		Not used
3222	First related location name	an..70	N		Not used
C553	Related location two identification		N		
3233	Second related location name code	an..25	N		Not used
1131	Code list identification code	an..17	N		Not used
3055	Code list responsible agency code	an..3	N		Not used
3232	Second related location name	an..70	N		Not used
5479	Relation code	an..3	N		Not used

Remark:

An internal location within the ship-to's premises, where goods are moved to after they have been unloaded, e.g. an assembly line, an internal warehouse, etc.
not used for PROACT

Example: LOC+18+DOCK 5::92:X'

Tag	St	MaxOcc	
-----	----	--------	--

SG12	R	9999	Scheduled Article Details
-------------	---	------	---------------------------

LIN	M	1	Line item
------------	---	---	-----------

EDIFACT			Conti		
Tag	Name	St Format	St	Format	Usage / Remark
1082	Line item identifier	C an..6	O	an..6	1 fix value
1229	Action request/notification description code	C an..3	O	an..3	1 Added 2 Deleted 9 Amendments 38 Replaced Code indicating action required as a result of the new instruction. Code 1 - individual schedule lines are added to the existing schedule. Code 2 - individual schedule lines are deleted from the existing schedule. Code 9 - Amendments - means the shedule lines of a previous forecast/ instruction are replaced only for the specific horizon indicated. All figures before and after remain valid. This requires an effective from and an effective to date on the header level. Code 38 - the complete previous forecast / instruction for this line item is replaced by new figures for the full horizon. The horizon boundaries are replaced as well. It implies that the old forecast is deleted. Example: old forecast was July to December, new forecast is July to November: all figures for July to November are replaced by the new ones and figures for December are to be deleted. See also remarks on Schedule Scope Code (DE 7365 in GEI segment). It is a recommended business practice to use at least one times a zero quantity schedule line for articles that have been part of previous schedules but are now no longer part of the schedule in the case of the 'complete replacement' situation.
C212	Item number identification	C	O		
7140	Item identifier	C an..35	R	an..35	Information directly relating to the identification of an article by the buyer's identification system. Note: The term article is synonym with the term item. Since in Odette and in the global joint automotive projects the term article has been used, this naming convention has been continued. Part number
7143	Item type identification code	C an..3	O	an..3	IN Buyer's item number
1131	Code list identification code	an..17	N		Not used
3055	Code list responsible agency code	an..3	N		Not used
C829	Sub-line information		N		
5495	Sub-line indicator code	an..3	N		Not used
1082	Line item identifier	an..6	N		Not used
1222	Configuration level number	n..2	N		Not used
7083	Configuration operation code	an..3	N		Not used

Remark:

An article required by the buyer, which is scheduled to be delivered. All other segments in the detail section following the LIN segment refer to the line item.

Example: LIN+1+1+PN-32212:IN'

MaxOcc = Maximum occurrence of the segment/group St = Status: M=Mandatory, C=Conditional, R=Required, O=Optional, D=Dependent, A=Advised, N=Not used

Tag	St	MaxOcc	
-----	----	--------	--

SG12 R 9999 **Scheduled Article Details**

PIA O 1 **Additional product id**

EDIFACT			Conti		
Tag	Name	St Format	St	Format	Usage / Remark
4347	Product identifier code qualifier	M an..3	M	an..3	1 Additional identification
C212	Item number identification	M	M		
7140	Item identifier	C an..35	R	an..35	Information directly relating to the identification of an item by the seller's identification system. Note: The term article is synonymous with the term item. Since in Odette and in the global joint automotive projects the term article has been used, this naming convention has been continued.
1131	Code list identification code	an..17	N		Not used
3055	Code list responsible agency code	an..3	N		Not used
C212	Item number identification		N		
7140	Item identifier	an..35	N		Not used
7143	Item type identification code	an..3	N		Not used
1131	Code list identification code	an..17	N		Not used
3055	Code list responsible agency code	an..3	N		Not used
C212	Item number identification		N		
7140	Item identifier	an..35	N		Not used
7143	Item type identification code	an..3	N		Not used
1131	Code list identification code	an..17	N		Not used
3055	Code list responsible agency code	an..3	N		Not used
C212	Item number identification		N		
7140	Item identifier	an..35	N		Not used
7143	Item type identification code	an..3	N		Not used
1131	Code list identification code	an..17	N		Not used
3055	Code list responsible agency code	an..3	N		Not used

Remark:
not used for PROACT

Example: PIA+1+C2'

MaxOcc = Maximum occurrence of the segment/group St = Status: M=Mandatory, C=Conditional, R=Required, O=Optional, D=Dependent, A=Advised, N=Not used

Tag	St	MaxOcc	
-----	----	--------	--

SG12 R 9999 **Scheduled Article Details**

PIA O 1 **Additional product id**

EDIFACT			Conti		
Tag	Name	St Format	St	Format	Usage / Remark
4347	Product identifier code qualifier	M an..3	M	an..3	1 Additional identification
C212	Item number identification	M	M		
7140	Item identifier	C an..35	R	an..35	Information directly relating to the identification of an item by the seller's identification system. Note: The term article is synonymous with the term item. Since in Odette and in the global joint automotive projects the term article has been used, this naming convention has been continued.
7143	Item type identification code	C an..3	R	an..3	EC Engineering change level
1131	Code list identification code	an..17	N		Not used
3055	Code list responsible agency code	an..3	N		Not used
C212	Item number identification		N		
7140	Item identifier	an..35	N		Not used
7143	Item type identification code	an..3	N		Not used
1131	Code list identification code	an..17	N		Not used
3055	Code list responsible agency code	an..3	N		Not used
C212	Item number identification		N		
7140	Item identifier	an..35	N		Not used
7143	Item type identification code	an..3	N		Not used
1131	Code list identification code	an..17	N		Not used
3055	Code list responsible agency code	an..3	N		Not used
C212	Item number identification		N		
7140	Item identifier	an..35	N		Not used
7143	Item type identification code	an..3	N		Not used
1131	Code list identification code	an..17	N		Not used
3055	Code list responsible agency code	an..3	N		Not used

Remark:

Example: PIA+1+C2:UA'

MaxOcc = Maximum occurrence of the segment/group St = Status: M=Mandatory, C=Conditional, R=Required, O=Optional, D=Dependent, A=Advised, N=Not used

Tag	St	MaxOcc	
-----	----	--------	--

SG12	R	9999	Scheduled Article Details
-------------	---	------	----------------------------------

IMD	O	10	Item short description
------------	---	----	-------------------------------

EDIFACT			Conti		
Tag	Name	St Format	St	Format	Usage / Remark
7077	Description format code	C an..3	O	an..3	Code specifying the format of a description. F Free-form Code F - Data description should be placed in data element 7008. Code S - Structured code information should be placed in data element 7009. Code X - Both data element 7008 and 7009 should be used.
C272	Item characteristic	C	O		
7081	Item characteristic code	C an..3	R	an..3	4 Finish 5 End use application 8 Product 26 Ship to line 32 Type of test/inspection 61 New article 62 Obsolete article 63 Current article 66 Current article spares 67 Balance out article 79 Other physical description 116 Corrosion resistance
1131	Code list identification code	an..17	N		Not used
3055	Code list responsible agency code	C an..3	O	an..3	Code specifying the agency responsible for a code list.
C273	Item description	C	O		
7009	Item description code	C an..17	O	an..17	Code indicating the status of an article using codes from JAI code list JAI004. Open for company's individual auxilliary information.
1131	Code list identification code	an..17	N		Not used
3055	Code list responsible agency code	C an..3	O	an..3	10 ODETTE 272 Joint Automotive Industry agency Code specifying the agency responsible for a code list.
7008	Item description	C an..35	O	an..35	The short name or description of an article or service in plain text. For Japanese business environment up to 198 lines of text may be necessary.
7008	Item description	C an..35	O	an..35	
3453	Language name code	C an..3	O	an..3	Code specifying the language name. Use ISO 639-1988.
7383	Surface or layer code	an..3	N		Not used

Remark:
not used for PROACT

Example: IMD+F+4::10+01::10:X:X:AA'

MaxOcc = Maximum occurrence of the segment/group St = Status: M=Mandatory, C=Conditional, R=Required, O=Optional, D=Dependent, A=Advised, N=Not used

Tag	St	MaxOcc	
-----	----	--------	--

SG12	R	9999	Scheduled Article Details
-------------	---	------	----------------------------------

FTX	O	5	Third Party: Customer Usages Indicator
------------	---	---	---

EDIFACT			Conti		
Tag	Name	St Format	St	Format	Usage / Remark
4451	Text subject code qualifier	M an..3	M	an..3	LIN Line item
4453	Free text function code	an..3	N		Not used
C107	Text reference		N		
4441	Free text description code	an..17	N		Not used
1131	Code list identification code	an..17	N		Not used
3055	Code list responsible agency code	an..3	N		Not used
C108	Text literal	C	R		
4440	Free text	M an..256	M	an..256	A line of plain, non-structured text information.
4440	Free text	C an..256	O	an..256	see 4440#1
4440	Free text	C an..256	O	an..256	see 4440#1
4440	Free text	C an..256	O	an..256	see 4440#1
4440	Free text	C an..256	O	an..256	see 4440#1
3453	Language name code	C an..3	O	an..3	Code specifying the language name. Use ISO 639-1988.
4447	Free text format code	an..3	N		Not used

Remark:

Example: FTX+PRD+++X:X:X:X+AA'

MaxOcc = Maximum occurrence of the segment/group St = Status: M=Mandatory, C=Conditional, R=Required, O=Optional, D=Dependent, A=Advised, N=Not used

Tag	St	MaxOcc	
SG16	O	2	Delivery balance
not used for PROACT			
QTY	M	1	Delivery balance quantity

EDIFACT			Conti		
Tag	Name	St Format	St	Format	Usage / Remark
C186	Quantity details	M	M		
6063	Quantity type code qualifier	M an..3	M	an..3	83 Backorder quantity Code 73 is related to an order quantity, whereas 83 indicates the difference between instructed quantity and actually received quantity.
6060	Quantity	M n..15	M	n..15	Difference between quantity scheduled and quantity received. For positive values, the quantity scheduled is greater than the quantity received.
6411	Measurement unit code	C an..8	O	an..8	Code specifying the unit of measurement, use UN/ECE Recommendation 20, Common code.

Remark:

Example: QTY+83:5000:05'

Tag	St	MaxOcc
SG16	O	99 Cumulative quantity received
QTY	M	1 Cumulative quantity received

EDIFACT			Conti		
Tag	Name	St Format	St	Format	Usage / Remark
C186	Quantity details	M	M		
6063	Quantity type code qualifier	M an..3	M	an..3	70 Cumulative quantity received
6060	Quantity	M n..15	R	n..15	Cumulative quantity

Remark:

Example: QTY+70:100000'

Tag	St	MaxOcc	
SG16	O	99	Cumulative quantity received
DTM	O	2	Cumulative quantity date(s)/Reconciliation Date

EDIFACT			Conti		
Tag	Name	St Format	St	Format	Usage / Remark
C507	Date/time/period	M	M		
2005	Date or time or period function code qualifier	M an..3	M	an..3	51 Cumulative quantity start date
2380	Date or time or period text	C an..35	R	an..35	Start date of a given period
2379	Date or time or period format code	C an..3	O	an..3	102 CCYYMMDD

Remark:

Example: DTM+51:20050101:102'

Tag	St	MaxOcc
-----	----	--------

SG16 O 1 **Received quantity**
 not used for PROACT

QTY M 1 **Despatched and received quantities**

EDIFACT			Conti		
Tag	Name	St Format	St	Format	Usage / Remark
C186	Quantity details	M	M		
6063	Quantity type code qualifier	M an..3	M	an..3	48 Received quantity
6060	Quantity	M n..15	M	n..15	
6411	Measurement unit code	C an..8	O	an..8	Code specifying the unit of measurement, use UN/ECE Recommendation 20, Common code. C62 one

Remark:

Example: QTY+48:10000:C62'

Tag	St	MaxOcc
-----	----	--------

SG16 O 1 **Received quantity**
 not used for PROACT

DTM O 2 **Despatch and/or receipt date**

EDIFACT			Conti		
Tag	Name	St Format	St	Format	Usage / Remark
C507	Date/time/period	M	M		
2005	Date or time or period function code qualifier	M an..3	M	an..3	310 Received date/time
2380	Date or time or period text	C an..35	R	an..35	Date/time on which the goods are or are expected to be despatched or shipped. Only to be used, if not a complete receiving advice reference is used. Date when the Ship-to party receives a shipment
2379	Date or time or period format code	C an..3	O	an..3	102 CCYYMMDD

Remark:

Example: DTM+310:20040528:102'

Tag	St	MaxOcc	
SG17	O	99	Despatch / receiving document reference
RFF	M	1	Reference

		EDIFACT	Conti		
Tag	Name	St Format	St	Format	Usage / Remark
C506	Reference	M	M		
1153	Reference code qualifier	M an..3	M	an..3	AAU Despatch note document identifier
1154	Reference identifier	C an..17	R	an..17	Unique identifier of the despatch advice
1156	Document line identifier	an..6	N		Not used
4000	Reference version identifier	an..35	N		Not used
1060	Revision identifier	an..6	N		Not used

Remark:
Reference identifier assigned by the issuer to the document for a despatch advice

Example: RFF+AAU:12345'

Tag	St	MaxOcc	
SG17	O	99	Despatch / receiving document reference
DTM	O	1	Referenced document's date

EDIFACT			Conti		
Tag	Name	St Format	St	Format	Usage / Remark
C507	Date/time/period	M	M		
2005	Date or time or period function code qualifier	M an..3	M	an..3	171 Reference date/time
2380	Date or time or period text	C an..35	R	an..35	Date, on which a document or business signal was issued.
2379	Date or time or period format code	C an..3	O	an..3	102 CCYYMMDD

Remark:

Example: DTM+171:X:102'

Tag	St	MaxOcc	
-----	----	--------	--

SG18 D 999 **Scheduling data Firm**
 there is only used SCC+4/QTY+113/DTM+2

SCC M 1 **Scheduling conditions**

EDIFACT			Conti		
Tag	Name	St Format	St	Format	Usage / Remark
4017	Delivery plan commitment level code	M an..3	M	an..3	1 Firm Code indicating the level of commitment of a delivery instruction.
4493	Delivery instruction code	an..3	N		Not used
C329	Pattern description		N		
2013	Frequency code	an..3	N		Not used
2015	Despatch pattern code	an..3	N		Not used
2017	Despatch pattern timing code	an..3	N		Not used

Remark:
 Information providing dates/times/periods of deliveries, quantity, and additional references valid for the item.
 Delivery Date and Delivery Period shall be used mutually exclusive.

Example: SCC+1 '

Tag	St	MaxOcc
-----	----	--------

SG19	R	999	Scheduled quantity
-------------	---	-----	--------------------

QTY	M	1	Quantity
------------	---	---	----------

EDIFACT			Conti		
Tag	Name	St Format	St	Format	Usage / Remark
C186	Quantity details	M	M		
6063	Quantity type code qualifier	M an..3	M	an..3	<p>113 Quantity to be delivered Code identifying the reason of the delivery instruction. In North America, code 1 is used to indicate the forecast nature of this quantity. However, in Europe usually only the SCC indicates whether it is forecast or firm delivery instruction. Code 1 and 113 are synonyms in this sense. Codes 18, 21, 143, and 167 are considered as auxilliary information, which has to be preceded by actual delivery requirements. Code 18 - a quantity in a given past or previous period - for statistical or trend reasons Code 21 - is referring to the forecasted figure in comparison with the actual instructed delivery quantity. Code 143- in case of a run out process, the remaining quantity up to the end of production is indicated Code 167 - accumulation of all individual schedule lines for this article</p>
6060	Quantity	M n..15	M	n..15	Quantity scheduled by the buyer (material release issuer) to be delivered at a specified point in time or within a period.
6411	Measurement unit code	C an..8	C	an..8	Code specifying the unit of measurement, use UN/ECE Recommendation 20, Common code.

Remark:

Example: QTY+113:4500:C62'

Tag	St	MaxOcc
-----	----	--------

SG19	R	999	Scheduled quantity
-------------	---	-----	--------------------

DTM	O	9	Scheduled date(s)
------------	---	---	-------------------

EDIFACT			Conti		
Tag	Name	St Format	St	Format	Usage / Remark
C507	Date/time/period	M	M		
2005	Date or time or period function code qualifier	M an..3	R	an..3	2 Delivery date/time, requested The codes are used to indicate: Code 2 - delivery at destination, fixed date
2380	Date or time or period text	C an..35	R	an..35	Date / period
2379	Date or time or period format code	C an..3	O	an..3	102 CCYYMMDD

Remark:

Example: DTM+2:20040610:102'

Tag	St	MaxOcc
-----	----	--------

SG19	R	999 Scheduled quantity
-------------	---	-------------------------------

DTM	R	9 Delivery date/time, earliest
------------	---	---------------------------------------

EDIFACT			Conti		
Tag	Name	St Format	St	Format	Usage / Remark
C507	Date/time/period	M	M		
2005	Date or time or period function code qualifier	M an..3	R	an..3	64 Delivery date/time, earliest The codes are used to indicate: Code 64 - shipment (delivery initiated)date/time of departure, earliest
2380	Date or time or period text	C an..35	R	an..35	Date / period
2379	Date or time or period format code	C an..3	O	an..3	102 CCYYMMDD

Remark:

Example: DTM+64:20040610:102'

Tag	St	MaxOcc
-----	----	--------

SG19	R	999 Scheduled quantity
-------------	---	-------------------------------

DTM	R	9 Delivery date time, last
------------	---	-----------------------------------

EDIFACT			Conti		
Tag	Name	St Format	St	Format	Usage / Remark
C507	Date/time/period	M	M		
2005	Date or time or period function code qualifier	M an..3	R	an..3	63 Delivery date time, last The codes are used to indicate: Code 63 - shipment (delivery initiated) date/time of departure, latest
2380	Date or time or period text	C an..35	R	an..35	Date / period
2379	Date or time or period format code	C an..3	O	an..3	102 CCYYMMDD

Remark:

Example: DTM+63:20040610:102'

Tag	St	MaxOcc	
SG18	O	999	Commitment for manufacturing and material
SCC	M	1	Scheduling conditions

EDIFACT			Conti		
Tag	Name	St Format	St	Format	Usage / Remark
4017	Delivery plan commitment level code	M an..3	M	an..3	2 Commitment for manufacturing and material 3 Commitment for material Code indicating the buyer's level of commitment for the cumulative quantities scheduled.
4493	Delivery instruction code	an..3	N		Not used
C329	Pattern description		N		
2013	Frequency code	an..3	N		Not used
2015	Despatch pattern code	an..3	N		Not used
2017	Despatch pattern timing code	an..3	N		Not used

Remark:
 Providing the level of commitment of the buyer, per type of commitment.
 The authorisation may be given: -
 - as a discrete quantity
 - for a period in terms of start and end date
 - for a period in terms of number of periods

Example: SCC+2'

Tag	St	MaxOcc
-----	----	--------

SG19	R	999	Quantity to be delivered
-------------	---	-----	--------------------------

QTY	M	1	Quantity
------------	---	---	----------

EDIFACT			Conti		
Tag	Name	St Format	St	Format	Usage / Remark
C186	Quantity details	M	M		
6063	Quantity type code qualifier	M an..3	M	an..3	Code identifying the reason of the delivery instruction. 113 Quantity to be delivered In North America, code 1 is used to indicate the forecast nature of this quantity. However, in Europe usually only the SCC indicates whether it is forecast or firm delivery instruction. Code 1 and 113 are synonyms in this sense. Codes 18, 21, 143, and 167 are considered as auxilliary information, which has to be preceded by actual delivery requirements. Code 18 - a quantity in a given past or previous period - for statistical or trend reasons Code 21 - is referring to the forecasted figure in comparison with the actual instructed delivery quantity. Code 143- in case of a run out process, the remaining quantity up to the end of production is indicated Code 167 - accumulation of all individual schedule lines for this article
6060	Quantity	M n..15	M	n..15	Quantity scheduled by the buyer (material release issuer) to be delivered at a specified point in time or within a period.
6411	Measurement unit code	C an..8	O	an..8	Code specifying the unit of measurement, use UN/ECE Recommendation 20, Common code.

Remark:

Example: QTY+113:4500:C62'

Tag	St	MaxOcc
-----	----	--------

SG19	R	999 Quantity to be delivered
-------------	---	-------------------------------------

DTM	R	9 Delivery date/time, earliest
------------	---	---------------------------------------

EDIFACT			Conti		
Tag	Name	St Format	St	Format	Usage / Remark
C507	Date/time/period	M	M		
2005	Date or time or period function code qualifier	M an..3	R	an..3	64 Delivery date/time, earliest The codes are used to indicate: Code 64 - shipment (delivery initiated)date/time of departure, earliest
2380	Date or time or period text	C an..35	R	an..35	Date / period
2379	Date or time or period format code	C an..3	O	an..3	102 CCYYMMDD

Remark:

Example: DTM+64:20040610:102'

Tag	St	MaxOcc
-----	----	--------

SG19	R	999	Quantity to be delivered
-------------	---	-----	--------------------------

DTM	R	9	Delivery date time, last
------------	---	---	--------------------------

EDIFACT			Conti		
Tag	Name	St Format	St	Format	Usage / Remark
C507	Date/time/period	M	M		
2005	Date or time or period function code qualifier	M an..3	R	an..3	63 Delivery date time, last The codes are used to indicate: Code 63 - shipment (delivery initiated) date/time of departure, latest
2380	Date or time or period text	C an..35	R	an..35	Date / period
2379	Date or time or period format code	C an..3	O	an..3	102 CCYYMMDD

Remark:

Example: DTM+63:20040610:102'

Tag	St	MaxOcc	
-----	----	--------	--

SG19	R	999	Quantity to be delivered
-------------	---	-----	--------------------------

DTM	O	9	Delivery date/time, requested
------------	---	---	-------------------------------

EDIFACT			Conti		
Tag	Name	St Format	St	Format	Usage / Remark
C507	Date/time/period	M	M		
2005	Date or time or period function code qualifier	M an..3	R	an..3	2 Delivery date/time, requested The codes are used to indicate: Code 2 - delivery at destination, fixed date
2380	Date or time or period text	C an..35	R	an..35	Date / period
2379	Date or time or period format code	C an..3	O	an..3	102 CCYYMMDD

Remark:

Example: DTM+2:20040610:102'

Tag	St	MaxOcc
-----	----	--------

SG19	O	999 Latest cumulative quantity
-------------	---	--------------------------------

QTY	M	1 Quantity
------------	---	------------

EDIFACT			Conti		
Tag	Name	St Format	St	Format	Usage / Remark
C186	Quantity details	M	M		
6063	Quantity type code qualifier	M an..3	M	an..3	74 Latest cumulative quantity ZZZ may be used if QTY transmits the number of periods and the period type is specified in DTM+273. Code 207 is used to indicate the total order cycle hours, which is defined as the number of working hours in the total order cycle.
6060	Quantity	M n..15	M	n..15	Actual number of periods (days, weeks etc.) belonging to a schedule or similar time horizons. The highest quantity of an item previously scheduled from a specified start date. Discrete quantity of materials or finished goods authorised to be produced or purchased to meet the expected requirements of the buyer as committed in a forecast or schedule.
6411	Measurement unit code	C an..8	O	an..8	Code specifying the unit of measurement, use UN/ECE Recommendation 20, Common code.

Remark:

Example: QTY+74:10000:C62'

Tag	St	MaxOcc	
SG19	O	999	Latest cumulative quantity
DTM	R	9	Authorization date

EDIFACT			Conti		
Tag	Name	St Format	St	Format	Usage / Remark
2380	Date or time or period text	C an..35	R	an..35	Date / period
2379	Date or time or period format code	C an..3	O	an..3	102 CCYYMMDD

Remark:

Example: DTM+:20040610:102'

Tag	St	MaxOcc	
SG18	D	999	Scheduling data Planning/forecast
SCC	M	1	Scheduling conditions

EDIFACT			Conti		
Tag	Name	St Format	St	Format	Usage / Remark
4017	Delivery plan commitment level code	M an..3	M	an..3	4 Planning/forecast Code indicating the level of commitment of a delivery instruction.
4493	Delivery instruction code	an..3	N		Not used
C329	Pattern description		N		
2013	Frequency code	an..3	N		Not used
2015	Despatch pattern code	an..3	N		Not used
2017	Despatch pattern timing code	an..3	N		Not used

Remark:

Information providing dates/times/periods of deliveries, quantity, and additional references valid for the item. Delivery Date and Delivery Period shall be used mutually exclusive. there is only used SCC+4/QTY+113/DTM+2

Example: SCC+4 '1

Tag	St	MaxOcc
-----	----	--------

SG19	R	999 Scheduled quantity
-------------	---	------------------------

QTY	M	1 Quantity
------------	---	------------

EDIFACT			Conti		
Tag	Name	St Format	St	Format	Usage / Remark
C186	Quantity details	M	M		
6063	Quantity type code qualifier	M an..3	M	an..3	<p>113 Quantity to be delivered</p> <p>Code identifying the reason of the delivery instruction. In North America, code 1 is used to indicate the forecast nature of this quantity. However, in Europe usually only the SCC indicates whether it is forecast or firm delivery instruction. Code 1 and 113 are synonyms in this sense.</p> <p>Codes 18, 21, 143, and 167 are considered as auxilliary information, which has to be preceded by actual delivery requirements.</p> <p>Code 18 - a quantity in a given past or previous period - for statistical or trend reasons</p> <p>Code 21 - is referring to the forecasted figure in comparison with the actual instructed delivery quantity.</p> <p>Code 143- in case of a run out process, the remaining quantity up to the end of production is indicated</p> <p>Code 167 - accumulation of all individual schedule lines for this article</p>
6060	Quantity	M n..15	M	n..15	Quantity scheduled by the buyer (material release issuer) to be delivered at a specified point in time or within a period.
6411	Measurement unit code	C an..8	C	an..8	Code specifying the unit of measurement, use UN/ECE Recommendation 20, Common code.

Remark:

Example: QTY+113:4500:C62'

Tag	St	MaxOcc
-----	----	--------

SG19	R	999	Scheduled quantity
-------------	---	-----	--------------------

DTM	O	9	Scheduled date(s)
------------	---	---	-------------------

EDIFACT			Conti		
Tag	Name	St Format	St	Format	Usage / Remark
C507	Date/time/period	M	M		
2005	Date or time or period function code qualifier	M an..3	R	an..3	2 Delivery date/time, requested The codes are used to indicate: Code 2 - delivery at destination, fixed date
2380	Date or time or period text	C an..35	R	an..35	Date / period
2379	Date or time or period format code	C an..3	O	an..3	102 CCYYMMDD

Remark:

Example: DTM+2:20040610:102'

Tag	St	MaxOcc
-----	----	--------

SG19	R	999 Scheduled quantity
DTM	R	9 Delivery date time, last

EDIFACT			Conti		
Tag	Name	St Format	St	Format	Usage / Remark
C507	Date/time/period	M	M		
2005	Date or time or period function code qualifier	M an..3	R	an..3	63 Delivery date time, last The codes are used to indicate: Code 63 - shipment (delivery initiated) date/time of departure, latest
2380	Date or time or period text	C an..35	R	an..35	Date / period
2379	Date or time or period format code	C an..3	O	an..3	102 CCYYMMDD

Remark:

Example: DTM+63:20040610:102'

Tag	St	MaxOcc	
SG19	R	999	Scheduled quantity
DTM	R	9	Delivery date/time, earliest

EDIFACT			Conti		
Tag	Name	St Format	St	Format	Usage / Remark
C507	Date/time/period	M	M		
2005	Date or time or period function code qualifier	M an..3	R	an..3	64 Delivery date/time, earliest The codes are used to indicate: Code 64 - shipment (delivery initiated)date/time of departure, earliest
2380	Date or time or period text	C an..35	R	an..35	Date / period
2379	Date or time or period format code	C an..3	O	an..3	102 CCYYMMDD

Remark:

Example: DTM+64:20040610:102'

Tag	St	MaxOcc	
UNT	M	1	Message trailer

EDIFACT			Conti		
Tag	Name	St Format	St	Format	Usage / Remark
0074	Number of segments in the message	M n..6	M	n..6	
0062	Message reference number	M an..14	M	an..14	

Remark:

Example: UNT+122+123456'

Tag	St	MaxOcc	
UNZ	M	1	Interchange trailer

EDIFACT			Conti		
Tag	Name	St Format	St	Format	Usage / Remark
0036	Interchange control count	M n..6	M	n..6	
0020	Interchange control reference	M an..14	M	an..14	Repetition of the value transmitted in UNB data element 0020.

Remark:

Example: UNZ+1+144659'

Example Message

No	Tag	Example
01	UNA	UNA:+.? '
02	UNB	UNB+UNOC:3+OD012345:59:123+987654321:1:X+071205:1446+144659+++++1'
03	UNH	UNH+123456+DELFOR:D:04A:UN:GA0511'
04	BGM	BGM+241:::text+231234:02:A+5'
05	DTM	DTM+137:20040523:102'
06	DTM	DTM+161:20040523:102'
07	DTM	DTM+158:20040101:102'
08	DTM	DTM+159:20041231:102'
11	DTM	DTM+157:20040101:102'
12	DTM	DTM+36:20040101:102'
17	FTX	FTX+AAR+++Inco-Terms:::X+DE'
SG1		
18	RFF	RFF+BO:X:X'
SG1		
20	RFF	RFF+AIF:X:X'
SG2		
28	NAD	NAD+BY+88012::92+X:::X+OEM INC:X+Industry Road 13:X+Smalltown++12345+DE'
SG4		
29	CTA	CTA+DL+ACCT'
30	COM	COM+0123456789012:TE'
SG4		
35	CTA	CTA+SC+:Scheduling'
36	COM	COM+0123456789012:TE'
SG2		
52	NAD	NAD+SU+88012::92+ABC OEM:X:X:X:X:X:X:X+X+AE-AJ+X+DE'
SG2		
61	NAD	NAD+SF+88012::92+ABC OEM:X:X:X:X:X:X:X+X+AE-AJ+X+DE'
SG6		
69	GEI	GEI+3+37'
SG7		
70	NAD	NAD+ST+082864711::92'
71	LOC	LOC+11+DOCK 5::92:X'
72	LOC	LOC+18+DOCK 5::92:X'
SG12		
86	LIN	LIN+1+1+PN-32212:IN'
87	PIA	PIA+1+C2:VN'

No = Consecutive segment number

No	Tag	Example
88	PIA	PIA+1+C2:UA'
91	IMD	IMD+F+4::10+01::10:X:X:AA'
98	FTX	FTX+PRD+++X:X:X:X+AA'
	SG16	
107	QTY	QTY+83:5000:05'
	SG16	
109	QTY	QTY+70:100000:C62'
110	DTM	DTM+51:20050101:102'
	SG16	
116	QTY	QTY+48:10000:C62'
117	DTM	DTM+310:20040528:102'
	SG17	
118	RFF	RFF+AAU:12345'
119	DTM	DTM+171:X:102'
	SG18	
124	SCC	SCC+1'
	SG19	
125	QTY	QTY+113:4500:C62'
126	DTM	DTM+2:20040610:102'
127	DTM	DTM+64:20040610:102'
128	DTM	DTM+63:20040610:102'
	SG18	
130	SCC	SCC+2'
	SG19	
131	QTY	QTY+113:4500:C62'
132	DTM	DTM+64:20040610:102'
133	DTM	DTM+63:20040610:102'
134	DTM	DTM+2:20040610:102'
	SG19	
136	QTY	QTY+74:10000:C62'
137	DTM	DTM+160:20040610:102'
	SG18	
138	SCC	SCC+4'
	SG19	
139	QTY	QTY+113:4500:C62'
140	DTM	DTM+2:20040610:102'
141	DTM	DTM+63:20040610:102'
142	DTM	DTM+64:20040610:102'

No = Consecutive segment number

No	Tag	Example
165	UNT	UNT+122+123456'
166	UNZ	UNZ+1+144659'